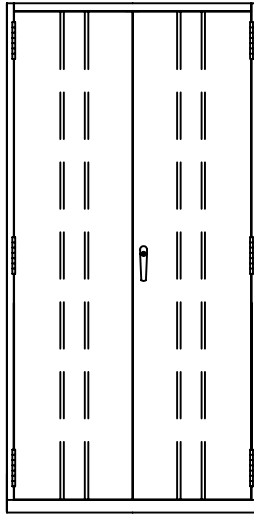


STORAGE CABINET ASSEMBLY INSTRUCTIONS



815S STORAGE CABINET

General Instructions

1. Check material received against the packing list. First check the number of packages received and then check the contents of each package.
2. Check material received for damage. If damage has occurred, secure a "damage notation" from the carrier.
3. Identify each part as it is unpacked and put like parts together as close as possible to the working area in which they are to be assembled.
4. Be careful to use the correct hardware as specified in the assembly instructions.
5. Items with suffix (xx) are available options.

CAUTION

IN THE INTEREST OF SAFETY, ALL LOCKERS MUST BE SECURELY ANCHORED TO THE FLOOR AND/OR WALL.
FOR SAFETY, HANDLE ALL COMPONENTS CAREFULLY AND WEAR WORK-GLOVES WHEN ASSEMBLING LOCKERS.

INSTALL ALL UNITS PLUMB AND TIGHTEN ALL HARDWARE SECURELY.

RETAIN INSTRUCTIONS FOR FUTURE REFERENCE.



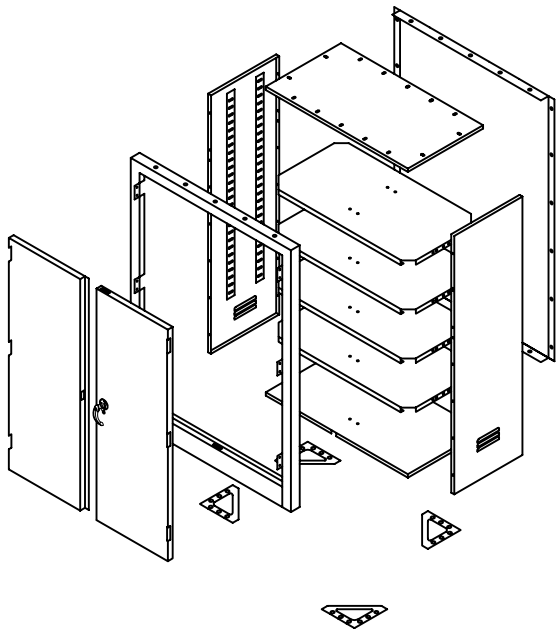
2732 W ORANGE BLOSSOM TRAIL
PLYMOUTH, FL 32768

Phone (407) 464-3611
Fax (407) 464-3610

www.hallowell-list.com

STORAGE CABINET ASSEMBLY INSTRUCTIONS

PACKAGE CONTENTS

REF. NO.	DESCRIPTION	PART NO.	QUANTITY #815	
x ①	LEFT DOOR	ICLD3678	1	
x ②	RIGHT DOOR	ICRD3678	1	
③	DOOR FRAME ASSEMBLY	ICHFA78	1	
④	BOTTOM	ICB36dd	1	
⑤	REAR PANEL	ICR3678F	1	
⑥	TOP	ICT36dd	1	
⑦	RIGHT/LEFT SIDE PANEL	ICSdd78F	2	
⑧	36" ADJ. SHELF	ICAS36dd	4	
⑨	CABINET FOOT	ICFB100	4	
⑩	TURN HANDLE	CH100A	1	
xx ⑪	ROD GUIDE	LRG1	2	
xx ⑫	LOCK ROD	ICLR78T	2	
xx ⑬	LOCK CAM	x	1	
xx ⑭	CAM KEEPER	x	1	
xx ⑮	8-32 ROUND HD BOLT	x	2	
xx ⑯	8-32 FLAT HD BOLT	x	1	
⑰	NUMBER PLATE	NP-HAL	1	
⑱	3/8" SLOTLESS BOLT	MBT200	80	
⑲	HEX NUT	N201	80	
⑳	RIVET (HINGE)	RV102	12	
㉑				
㉒				

PART NUMBER SUFFIX SHOWS
WIDTH, DEPTH, HEIGHT AND TIER.
CUSTOMER TO SPECIFY.

NOTE:

x SHIPS PRE-HUNG IN DOOR FRAME ASSEMBLY ③

xx INCLUDED WITH HANDLE

PART NO. LEGEND:

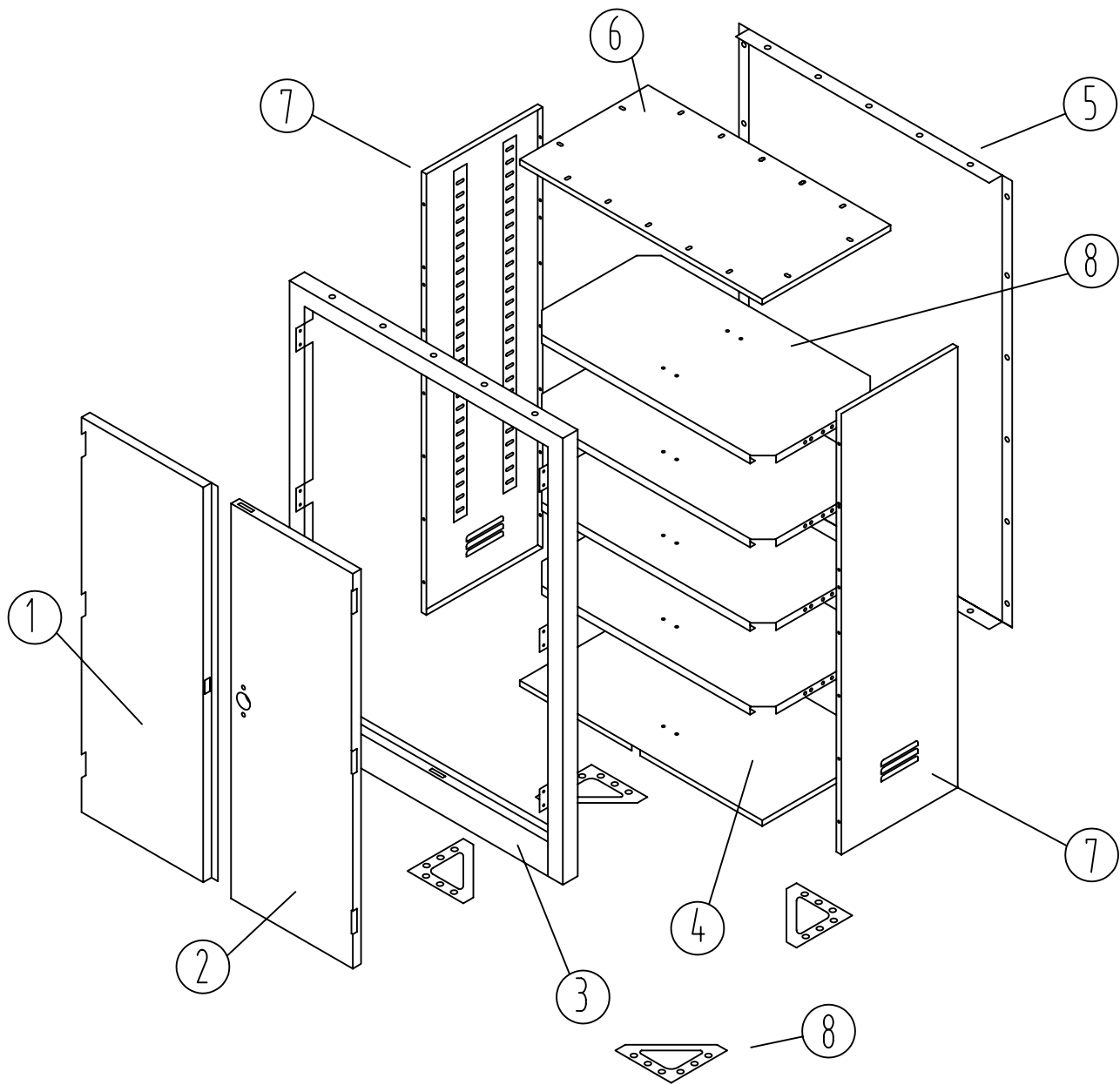
dd = DEPTH

TWO-YEAR WARRANTY

HALLOWELL K.D. LOCKERS ARE COVERED AGAINST ALL DEFECTS IN MATERIALS AND WORKMANSHIP EXCLUDING FINISH, DAMAGE RESULTING FROM DELIBERATE DESTRUCTION AND VANDALISM FOR A PERIOD OF TWO YEARS.



STORAGE CABINET ASSEMBLY INSTRUCTIONS



HALLOWELL MAKES EVERY EFFORT TO ENSURE THAT ALL UNITS SHIP COMPLETE; HOWEVER, SHOULD YOUR UNIT CONTAIN MISSING OR DAMAGED PARTS, REPLACEMENTS MAY BE OBTAINED FROM HALLOWELL. TO OBTAIN PARTS, FOLLOW THESE INSTRUCTIONS.

PLEASE PROVIDE THE FOLLOW INFORMATION:

MODEL NUMBER

DESCRIPTION OF PART(S) NEEDED & PART NUMBER(S) AS SHOWN IN PARTS LIST

COLOR

PURCHASE DATE

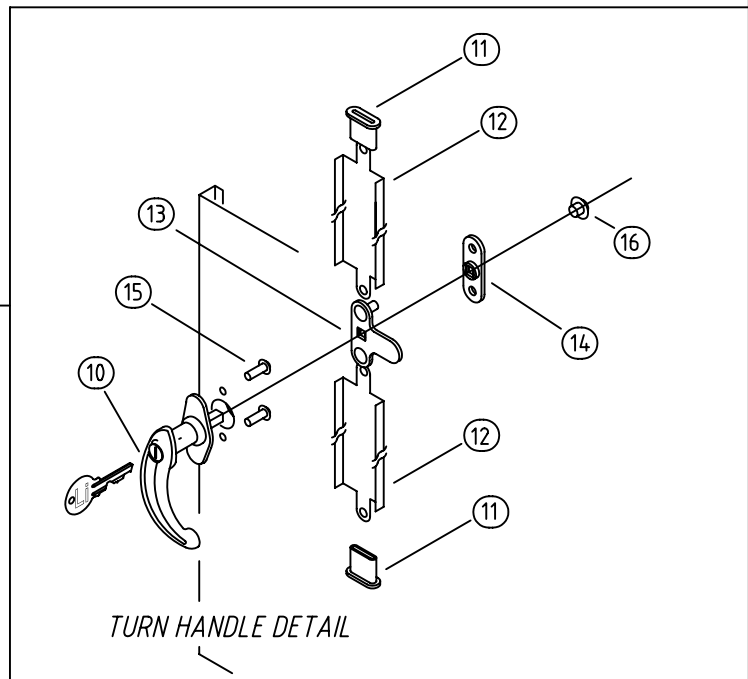
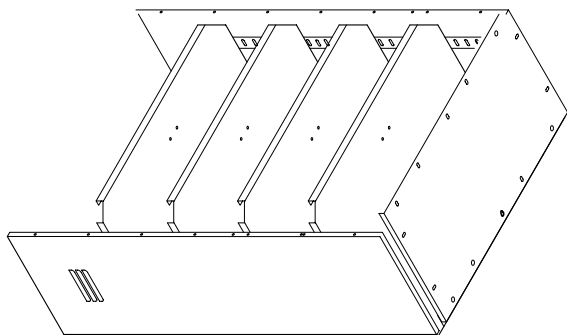
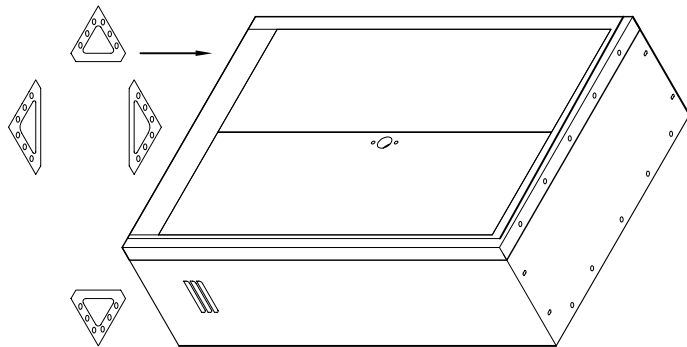
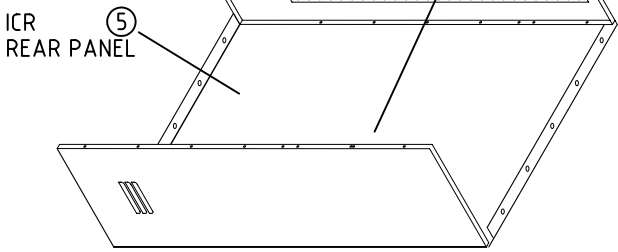
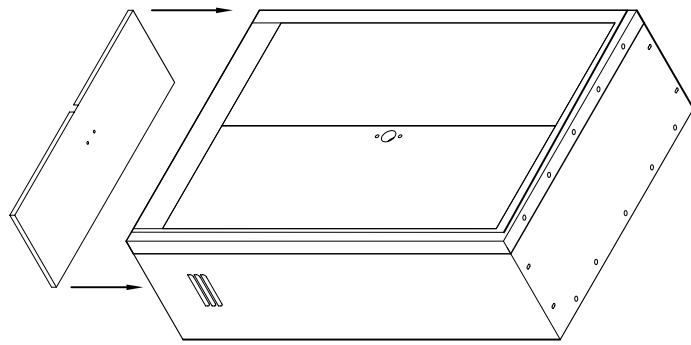
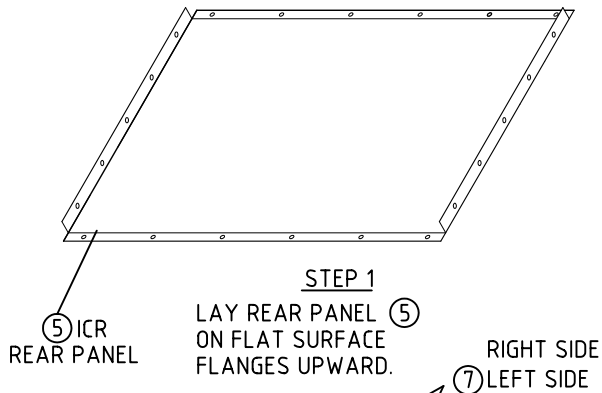
COMPANY NAME & CONTACT PERSON

WHERE THE PRODUCT WAS PURCHASED FROM

IF REQUESTING PARTS BY TELEPHONE, ASK FOR CUSTOMER SERVICE & PROVIDE THE ABOVE INFORMATION.



STORAGE CABINET ASSEMBLY INSTRUCTIONS



TOOLS REQUIRED: 3/8" NUT DRIVER, SLOTTED SCREWDRIVER & RUBBER Mallet (3/8" SOCKET MAY BE SUBSTITUTED).

HARDWARE USED FOR MAIN LOCKER ASSEMBLY



10 - 24 x 3/8"

MBT200 SLOTLESS BOLT (18)



N201 HEX NUT (19)

TIGHTEN NUT WITH A NUT DRIVER OR WRENCH (SCREW IS TAMPER RESISTANT).

